

**NEW**

# Miniature Precision Bearings

for linear motion

Material:  
Stainless steel/Polyamide

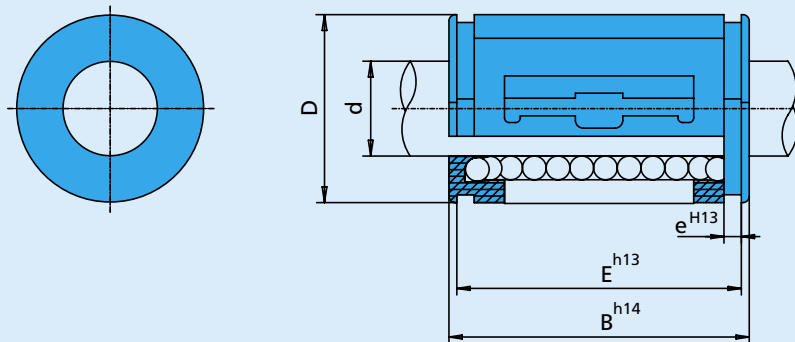
## Series DBL 3

	DBL	1222X	1626X	2032X	2540X	
Ø d		12	16	20	25	mm
		0,472	0,630	0,787	0,984	inch
Ø D		22	26	32	40	mm
		0,866	1,024	1,260	1,575	inch
B		32	36	45	58	mm
		1,260	1,417	1,772	2,284	inch
e		1,3	1,3	1,6	1,85	mm
		0,051	0,051	0,063	0,073	inch
E		22,6	24,6	31,2	43,7	mm
		0,889	0,969	1,228	1,720	inch
Load ratings static	Co	352	440	689	1332	N
		79,2	98,9	154,9	299,4	Lb-f
Load ratings dynamic	C	310	372	591	1162	N
		69,7	83,7	132,9	261,2	Lb-f
Weight		20	28	45	85	g
		0,70	0,99	1,59	3,00	oz
Ball rows		6	7	7	7	

Bearings are available with wipers on both sides.  
Please indicate -JR on the part number (e.g. 1222X-JR).

### Advantages

- High precision
- Low noise
- Low friction
- Cost effective
- Corrosion resistant



**DBL 3**

Specifications subject to change without notice.