

NEW

Miniature Precision Bearings

for linear motion

Material:
Stainless steel

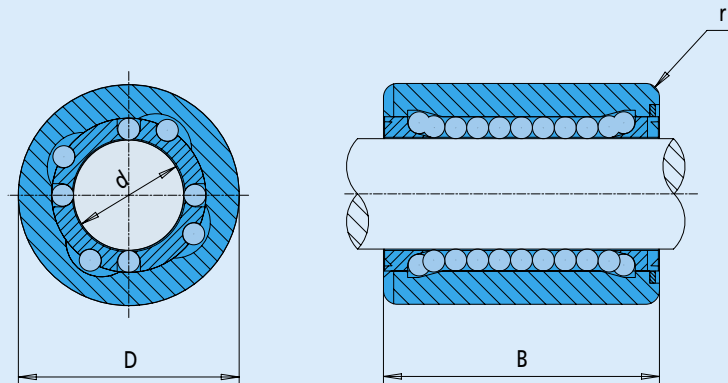
Series L ... X

| | | L 204X | L 306X | L 408X | L 510X | L 612X | |
|-------------|------------------|--------|--------|--------|--------|--------|----|
| Dimensions | d | 2 | 3 | 4 | 5 | 6 | mm |
| | D | 4 | 6 | 8 | 10 | 12 | mm |
| | B | 5 | 7 | 10 | 14 | 18 | mm |
| | r _{min} | 0,02 | 0,13 | 0,24 | 0,24 | 0,39 | mm |
| ∅ balls | | 0,500 | 0,600 | 0,794 | 1,250 | 1,588 | mm |
| Load rating | - static | 8 | 31 | 66 | 131 | 250 | N |
| | - dynamic | 10 | 30 | 61 | 132 | 245 | N |
| Weight | | 0,3 | 1,3 | 3 | 6 | 10 | g |

Tolerances

| | | | |
|-------------------------------------|--|------|----|
| Bore diameter | | +8/0 | µm |
| Outside diameter | | 0/-8 | µm |
| Recommended tolerances for shaft | | 0/-6 | µm |
| Max. interference fit of outer ring | | 1/3 | µm |

- Standard executions with brass cage
- Special executions on request with stainless steel cage



L ... X

Specifications subject to change without notice.